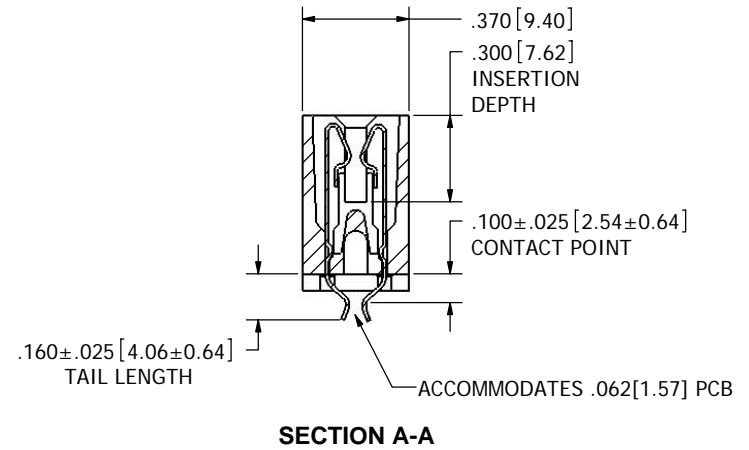
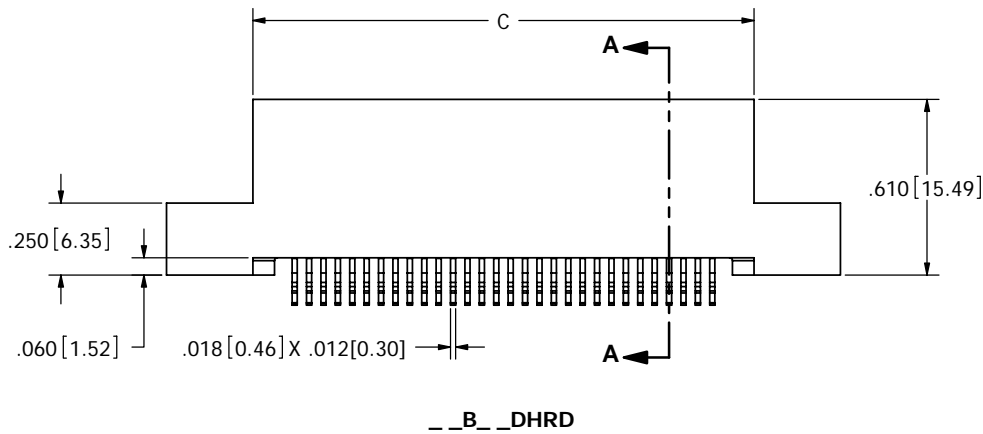
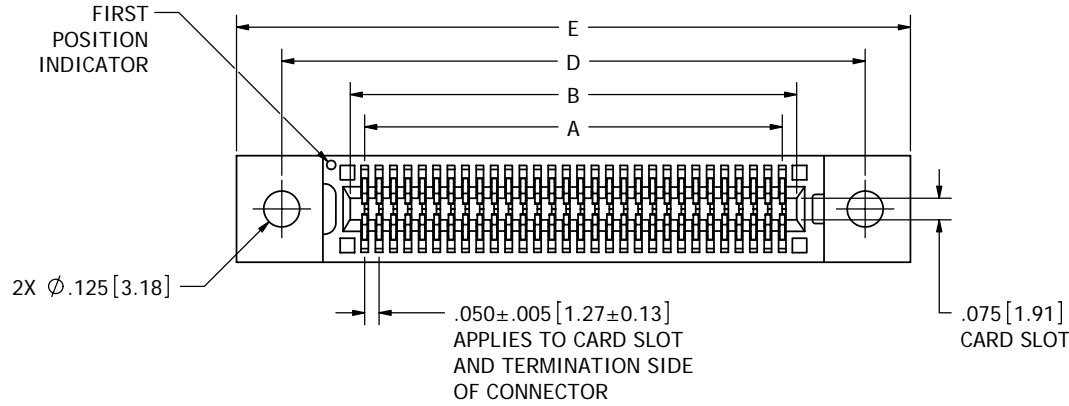


REVISIONS				
REV.	ECO. NO	DESCRIPTION	DATE	BY
A	1072	INITIAL RELEASE	06/23/2006	HT
B	1479	CLARIFY TERMINATION TOLERANCE, TABULATED MATERIAL CALL-OUT & ADDED ALL POSITIONS	8/23/2007	VJ



**NOTES:**

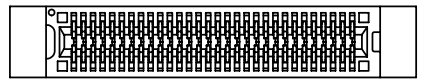
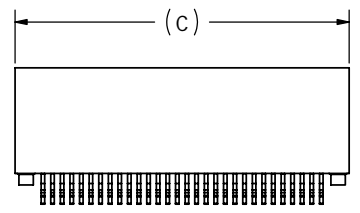
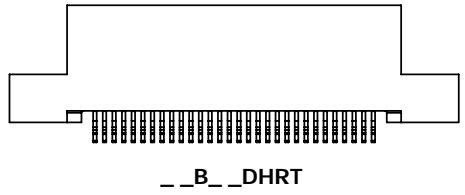
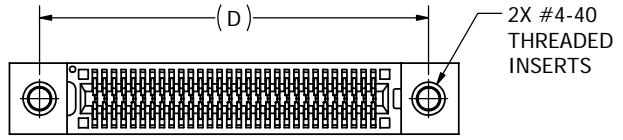
1. INSULATOR MATERIAL: SEE PART NUMBER CODING.
2. CONTACT MATERIAL: SEE PART NUMBER CODING.
3. PLATING: SEE PART NUMBER CODING.
4. TEMPERATURE: -SEE PART NUMBER CODING.
5. PROCESSING TEMP: SEE PART NUMBER CODING.
6. UL FLAMMABILITY RATING: 94V-0.
7. VOLTAGE RATING: 250 VDC MINIMUM AT SEA LEVEL.
8. CURRENT RATING: 1 AMP PER CONTACT PAIR.
9. VOLTAGE DROP: 30 MILLI VOLT AT RATED CURRENT.
10. INSULATION RESISTANCE: 5000 MEGA OHM.
11. CONNECTOR IDENTIFICATION: THE PART SHALL BE MARKED WITH A PART NUMBER AND BARCODE.
12. BOARD THICKNESS ACCOMMODATED: .062 ± .008 [1.57 ± 0.20].
13. BOARD INSERTION FORCE: 16 OZ MAX PER CONTACT PAIR WHEN USING A .062 [1.57] TEST BLADE. INTERNAL INSPECTION TO BE PER SULLIN'S WORK INSTRUCTION W17.3-01.
14. BOARD WITHDRAWAL FORCE: 1 OUNCE MINIMUM PER CONTACT PAIR USING .062 [1.57] PCB.



RoHS COMPLIANT

**CUSTOMER COPY**

UNLESS OTHERWISE SPECIFIED: DIMENSIONS ARE IN INCHES[MM]		DATE	NAME	<b>SULLINS ELECTRONICS</b> DESCRIPTION: <b>EDGE CARD, .050 CC, HP</b> PART NUMBER: <b>--B--DHRD--</b>
TOLERANCES: ANGULAR: ± 1° XX = ± .02 [ .508] .XXX = ± .005 [ .1270] XXXX = ± .0005 [ .0127] PARENTHEICAL INFORMATION IS FOR REFERENCE ONLY		6/23/2006	HT	
INTERPRET DIMENSIONS AND GEOMETRIC TOLERANCING PER: ANSI Y14.5-1984				SIZE DWG. NO <b>C C10764</b>
		SCALE: 3:1		REV <b>B</b>
				SHEET 1 OF 3



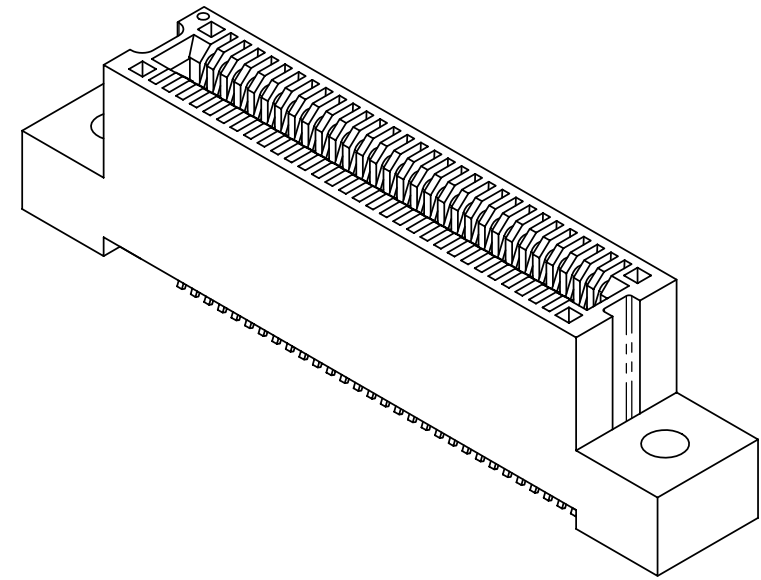
**MATERIALS (INSULATOR / CONTACT)**

**R = PPS/PHOSPHOR BRONZE**  
 OPERATING TEMP: -65°C TO +125°C  
 PROCESSING TEMP: 260°C FOR 120 SECS MAX

**G = PA9T/PHOSPHOR BRONZE**  
 OPERATING TEMP: -65°C TO +125°C  
 PROCESSING TEMP: 260°C FOR 120 SECS MAX

**A = PPS/BERYLLIUM COPPER**  
 OPERATING TEMP: -65°C TO +150°C  
 PROCESSING TEMP: 260°C FOR 120 SECS MAX

**J = PA9T/BERYLLIUM COPPER**  
 OPERATING TEMP: -65°C TO +150°C  
 PROCESSING TEMP: 260°C FOR 120 SECS MAX  
 (CONSULT FACTORY FOR OTHER MATERIALS)



**PART NUMBER CODING**

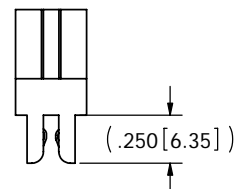
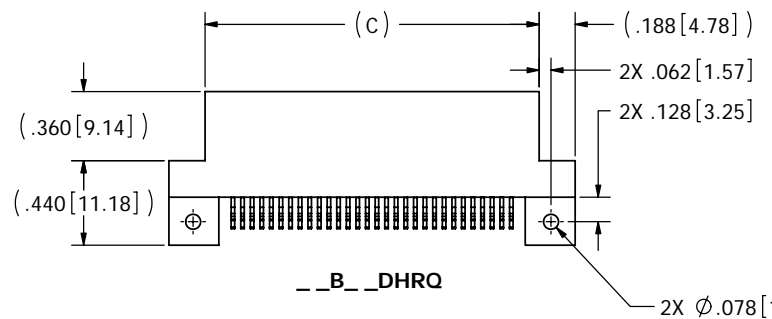
--B--DHR--

**NUMBER OF POSITIONS**  
(CONTACTS PER ROW)

**PLATING**  
 ALL PLATINGS ARE LEAD FREE AND HAVE .000050" NICKEL UNDERPLATE

**MOUNTING STYLE**  
 D = .250" EARS FLUSH MOUNTING (PAGE 1)  
 N = NO MOUNTING EARS  
 T = FLUSH MOUNTING WITH, #4-40 THREADED INSERT  
 Q = STRADDLE MOUNT

**CONTACT SURFACE TERMINATION**  
 B = .000010" GOLD .000100" PURE TIN, MATTE  
 C = .000030" GOLD .000100" PURE TIN, MATTE



RoHS COMPLIANT

**CUSTOMER COPY**

UNLESS OTHERWISE SPECIFIED: DIMENSIONS ARE IN INCHES[MM]		DATE	NAME
TOLERANCES: ANGULAR: ± 1° XX = ± .02 [ .508] .XXX = ± .005 [ .1270] .XXXX = ± .0005 [ .0127] PARENTHETICAL INFORMATION IS FOR REFERENCE ONLY		6/23/2006	HT
THE INFORMATION HEREIN CONTAINS PROPRIETARY INFORMATION OF SULLINS ELECTRONICS AND IS NOT TO BE REPRODUCED, USED OR DISCLOSED TO OTHERS FOR ANY PURPOSE EXCEPT AS SPECIFICALLY AUTHORIZED IN WRITING BY AN OFFICER OF SULLINS ELECTRONICS.			
INTERPRET DIMENSIONS AND GEOMETRIC TOLERANCING PER: ANSI Y14.5-1984		<b>SULLINS ELECTRONICS</b> DESCRIPTION: <b>EDGE CARD, .050 CC, HP</b> PART NUMBER: <b>--B--DHR--</b>	
SIZE	DWG. NO.	REV	
<b>C</b>	<b>C10764</b>	<b>B</b>	
SCALE: 2:1		SHEET 2 OF 3	

